

# 6605

# ELECTRONIC PROPULSION CONTROL HEAD



## Putting You In Control.

Manufactured for the marine environment, Kobelt's sleek 6605 electronic control head is the rugged solution for any vessel requiring multi-station, multi-function, twin engine control. The control head integrates the clutch and throttle control into one lever. The Kobelt 6605 also features a membrane keypad to permit operator control of station transfer, throttle-override, engine synchronization and more. With a wide array of options to choose from, Kobelt has the product to meet your propulsion control needs.

## Specifications

### Handle Travel:

- |                  |         |          |
|------------------|---------|----------|
| • Neutral:       | 0°      | Detented |
| • Clutch engage: | +/- 20° | Detented |
| • Full throttle: | +/- 78° | -        |

Output: 10 bit

Connection<sup>1</sup>: CANbus (Mighty Mariner)  
RS485 (6525 system)

Terminals: 22-16 AWG, screw clamp

EMC emissions: per IEC 60945

EMC immunity: per IEC 60945

Compass Safe Distance: 2 in [5 cm]

Environmental category: ENV5 / Class C / exposed

Ingress Protection<sup>2</sup>: IP56 (above console)

IP22 (below console)

Ambient Temperature: -14°F...+131°F [-10 °C... +55°C]

Environmental Conditions: per IEC 60945

Vibration Resistance: 0.7 g

Finish: Polyester powder coat  
Textured black

Weight: 6.2 lbs [2.8 kg]

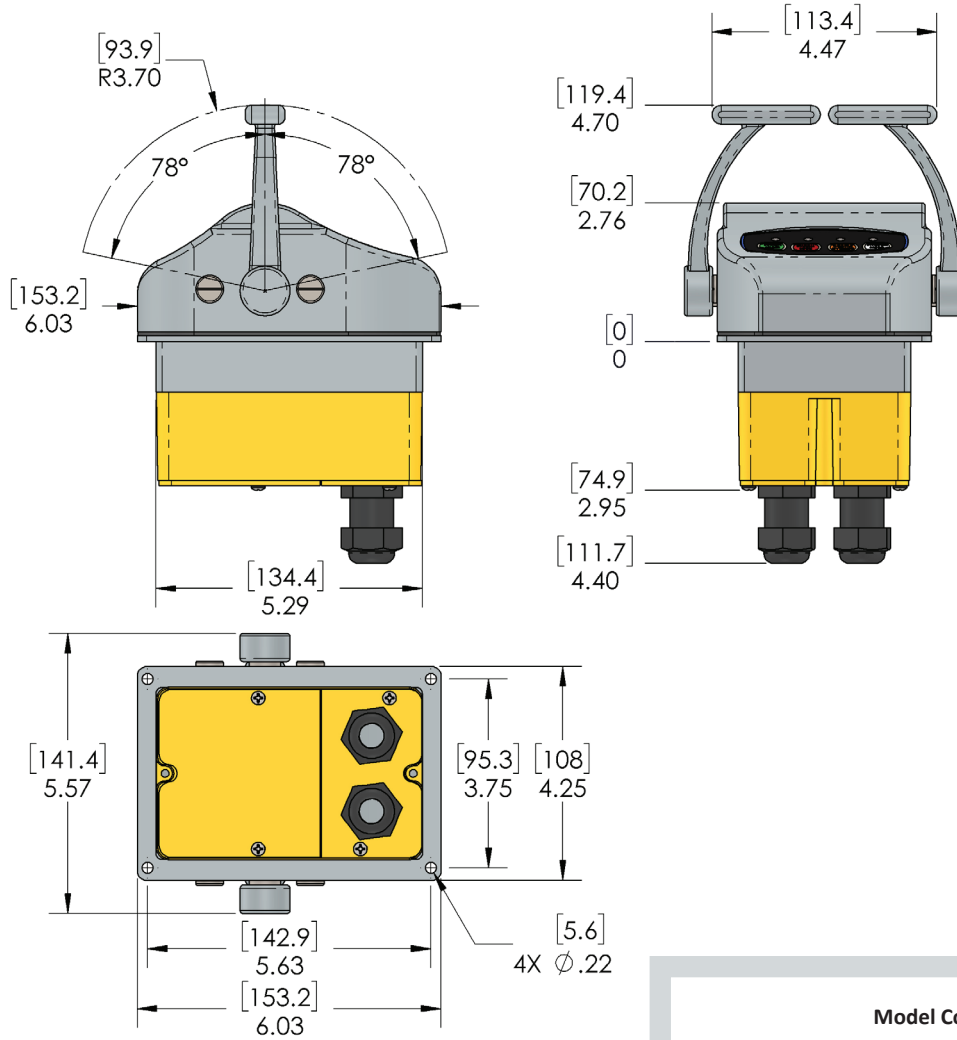
## Key Features:

- Four station propulsion control
- Multi-function capability
- Configurable design to suit requirements
- Lab tested to meet IEC 60945 standards
- Bronze & stainless steel construction

<sup>1</sup> 132 ft [40m] maximum

<sup>2</sup> Requires sealed mounting screws and 3/16 in [5mm] thick console (minimum).

# SPECIFICATIONS



## Mighty Mariner termination

Device	Connector	Pin #	Signal
CPU	P1	1	+VDC
		2	COM
		3	DATA+
		4	DATA-
		5	SHIELD
Buzzer	P4	1	+VDC
		2	COM

## 6525 system termination

Device	Connector	Pin #	Signal
CPU	P2	1	+VDC
		2	COM
		3	DATA+
		4	DATA-
		5	SHIELD
Buzzer	P4	1	+VDC
		2	COM

