



MODEL 2008 HEAVY DUTY 4" STROKE ONE HANDLE PUSH PULL CONTROL HEAD

This heavy duty push-pull control features illuminated side scales. It has up to 4 inches of stroke, which makes it ideal for the control of small C.P. propellers, small mechanical clutches and small water jets.

FEATURES:

- Corrosion free die cast silicon bronze and stainless steel hardware
- 5 adjustable stroke ranges up to 4 inches suitable for 30 series and 40 series cables
- LARGE bearings
 - No lost motion
 - High strength
 - Low wear and long life
- Removable dome for easy head and cable installation
- Independent friction and detent (standard) are adjustable and removable
- Operating quadrants are positively pin-fastened to handle shaft for safety
- Suitable for series or parallel rigging
- Optional safety switch, which prevents engine starting unless control head is in neutral (centre) position, is available either pre-installed or in kit form

ORDERING INFORMATION

- *H - With one neutral safety switch
- I - Electric clutch adaptor
- K - With chrome finish cover and handle
- L - With polished brass finish cover and handle
- M - With black epoxy finish cover and chrome handle
- N - One long handle with detent
- NN - One long handle with detent and friction
- O - One long handle with friction
- P - One short handle with detent
- PP - one short handle with detent and friction
- R - One short handle with friction

The standard model 2008 control head is supplied as follows:

- i. One long handle with detent or friction
- ii. With black epoxy finish cover and chrome handle

* Neutral safety switch is normally installed with detented handle.

To order, state model number followed by Model Designation letter codes.

Example: A standard model 2008 control head with chrome finish would be 2008-MO

Note:

Cable connector kits are ordered separately. Each push pull cable end attached to the control head requires one kit.

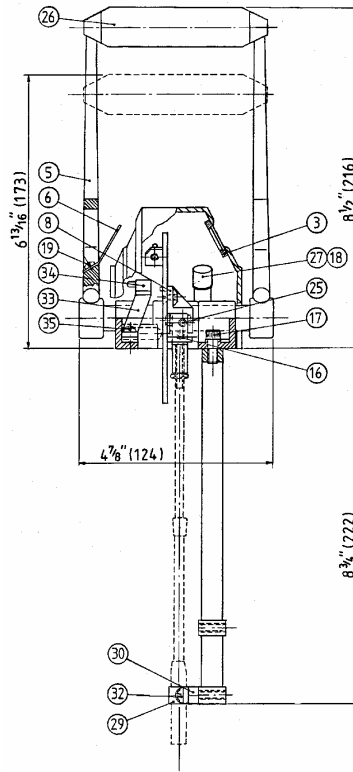
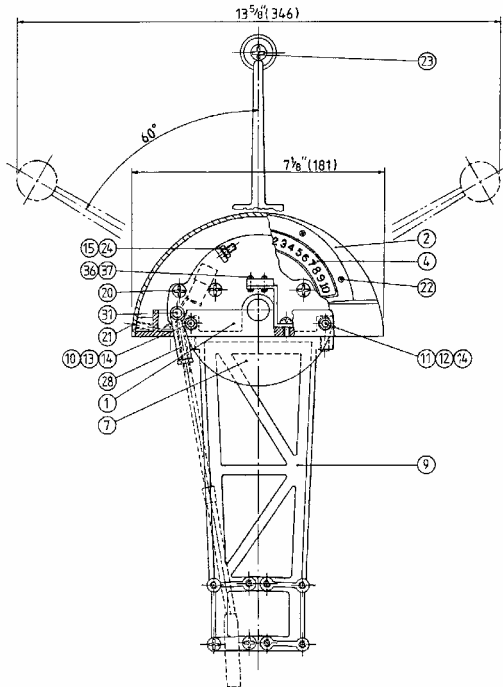
Accessories Ordering Numbers:

- | | |
|-----------|----------------------------------|
| 2008-0901 | Connection Kit (30 series cable) |
| 2008-0902 | Connection Kit (40 series cable) |
| 2008-0903 | Neutral Safety Switch Kit |
| 2008-0910 | Electric Clutch Adaptor Kit |

Weight: 6.5 lbs. (2.9 kg)

U.S. Pat. No. 4280371
CAN Pat. No. 1158136

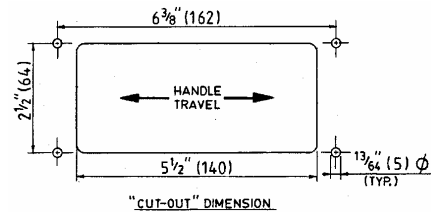
MODEL 2008



Item	Qty	Part Number	Description
1	1	2006-0001	Frame
2	1	2553-0001	Dome
3	2	2553-0006	Scale Retainer
4	1	2553-0016	Scale L.H. (10-0-10)
4	1	2553-0017	Scale R.H. (10-0-10)
4	1	2553-0021	Scale R.H. (0-14)
4	1	2553-0022	Scale L.H. (0-14)
5	2	2074-0002	Long Handle (standard)
5	2	2074-0001	Short Handle
6	2	2553-0018	Pointer
7	2	2012-0005	Pivot Plate
8	2	2012-0006	Pin Retainer
9	1	2011-0008	Support
10	* 1	2545-0012	Detent Pin
11	* 1	2545-0021	Friction Plug
12	* 1	1201-0003	Spring
13	* 1	1201-0062	Spring
14	1	1016-1204	Set Screw
15	2	1016-0808	Set Screw
16	1	1016-1004	Set Screw
17	2	1002-1010	Socket Hd Screw
18	2	1010-0804	Round Hd Screw
19	2	1006-0604	Pan Hd Screw
20	4	1009-0808	Flat Hd Screw
21	2	1005-0808	Oval Hd Screw
22	16	1011-0406	Oval Hd Screw
23	2	1011-1016	Oval Hd Screw
24	2	1022-0108	Jam Nut
25	2	1024-0816	Spring Pin
26	1	2553-0020	Handle Grip
27	2	6001-0206	Light Socket

* Quantity may vary with options

All Dimensions in inches (mm)



Item	Qty	Part Number	Description
2008-0901 (30 series) connection kit			
28	1	2105-0001	Clevis
29	1	2108-0001	Clamp
30	1	2109-0001	Spacer
31	1	1037-0411	Pin
32	2	1010-0810	Round Hd Screw
2008-0902 (40 series) connection kit			
28	1	2105-0002	Clevis
29	1	2108-0002	Clamp
30	1	2109-0001	Spacer
31	1	1037-0411	Pin
32	2	1010-0816	Round Hd Screw
2008-0903 Neutral safety switch set			
33	1	2011-0007	Bracket
34	1	1901-0001	Micro switch
35	1	1010-0804	Round Hd Screw
36	2	1004-0208	Round Hd Screw
37	2	1022-0102	Nut