

7175 | ANALOG INDICATORS



Putting you in control.

The 7175 Analog Indicator gauges provide reliable display of rudder angle position, rudder order command, or propeller pitch at your vessel's control stations. These small, 3-inch diameter, waterproof gauges include backlight for night and daytime operations. They are available in a Master or Slave configuration to suit your system's requirements. A reversed rudder angle indicator is available to align with aft facing stations. They can be configured with up to a total of six units in an operational loop.

The indicators are driven by a position transducer such as the Kobelt 7163, 7168, or 7174 Rudder Feedback Units (RFU).

Specifications

Nominal Voltage:	24VDC / 12VDC
Maximum Current:	20 mA
Illumination Voltage:	24VDC / 12VDC
Illumination Current:	60mA/190mA
Movement Range:	± 45° (from centre)
Operating Temperature:	-13°F ... 158°F [-25°C ... 70°C]
Product Weight:	0.9 lbs [0.4 kg]
Ingress Protection:	IP56
EMC Emissions:	per IEC 60945
EMC Immunity:	per IEC 60945
Compass Safe Distance:	.79 in. (2cm)

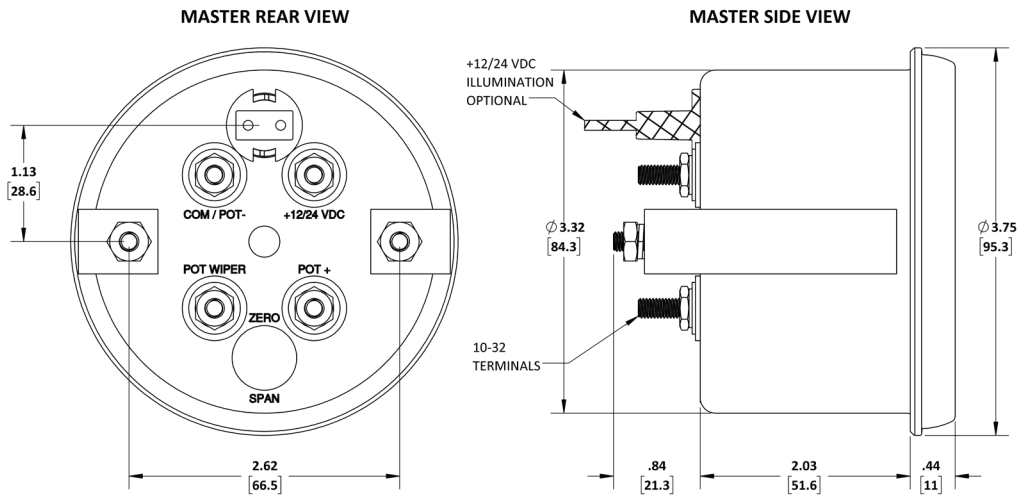
Approvals LR (LR2481998TA)

Key Benefits

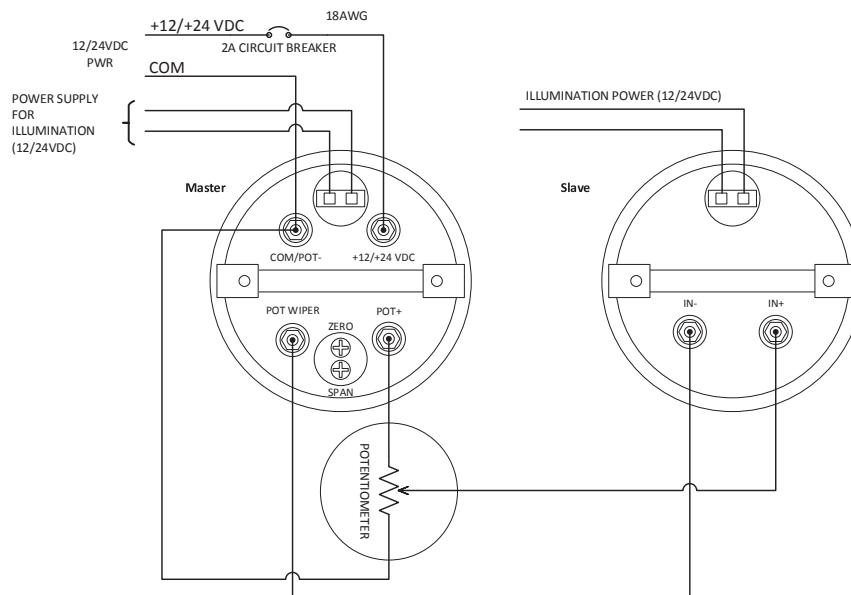
- Lab tested to IEC 60945 standards
- Standard Form Factor
- Designed for Durability and Reliability
- Robust Design and Construction
- Waterproof Face

SPECIFICATIONS

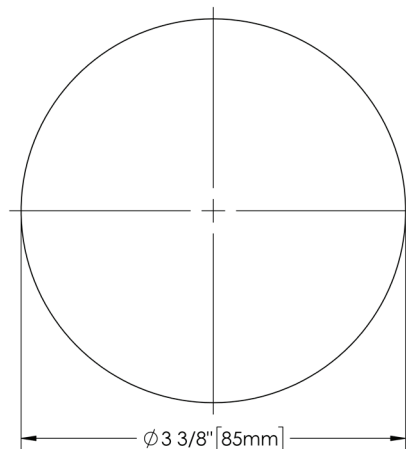
General Arrangement



Wiring Diagram



Mounting Dimensions



PARTS LISTING

KOBELT PART NUMBER			
Indicator Description	Master Unit	Slave Unit	Face Style
Rudder Angle	7175-MZ	7175-SZ	A
Rudder Angle (Reversed)	--	7175-SRZ	B
Rudder Order	7175-HMZ	7175-HSZ	C
Propeller Pitch	7175-PMZ	7175-PSZ	D

Model Code Key

7175—①②③Z

① **Function**
 (blank) = Rudder Angle
 H = Rudder Order
 P = Propeller Pitch

② **Type**
 M = Master
 S = Slave

③ **Orientation**
 (blank) = Standard
 R = Reversed

