



ORDERING INFORMATION

6555-B	Black finish
6555-C	Chrome finish

Model 6555 Twin Engine Control Head

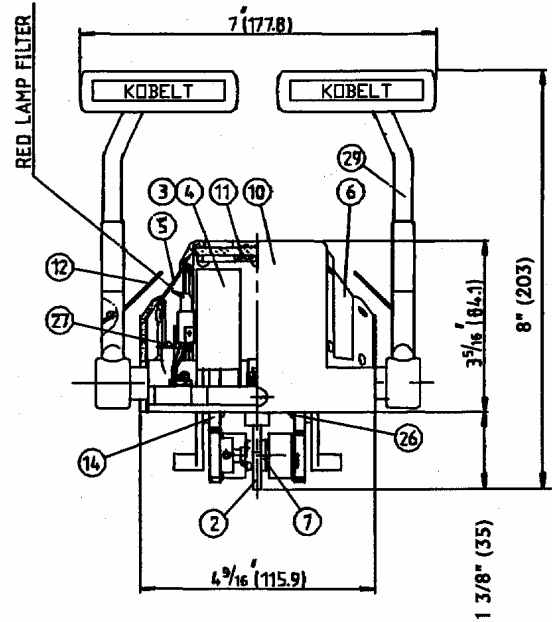
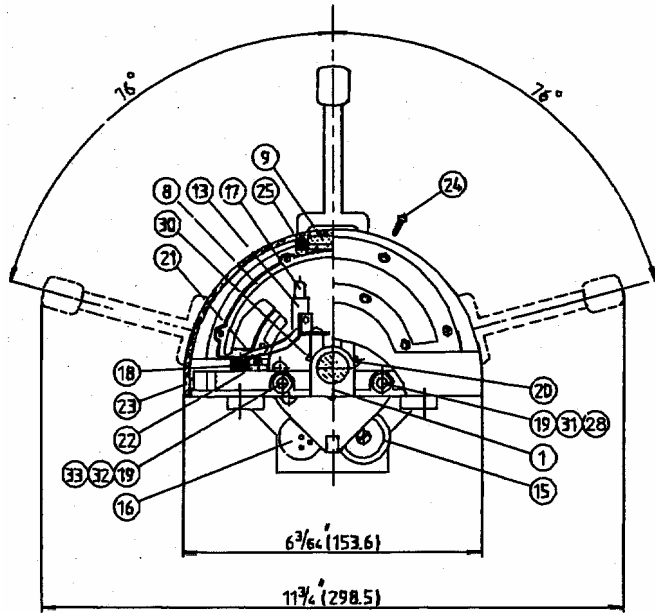
The 6555 control head is illuminated and not considered to be water tight. As a result, it is recommended for interior use only. It is made entirely in bronze and stainless steel on exposed surfaces and is durable enough to carry Kobelt's unsurpassable multi-year limited warranty.

The 6555 can be equipped with two potentiometers per handle. The Kobelt microprocessor is able to read both potentiometers at all times and be able to compare the readings from both potentiometers thus providing the alarm signal when a discrepancy is detected.

As is always the case for Kobelt products, you can have options of chrome or black for the finish of the enclosure. The handles are always chrome plated.

The control head can be configured to control a single engine. In addition, the control head can be integrated with a variety of Kobelt mounting panels for different applications. The standard ones are 6510-S4 or 6510-S6 panels.

DIMENSIONS AND PARTS LIST MODEL 6555



All Dimensions in inches

Item	Qty	Part No.	Description	Item	Qty	Part No.	Description
1	1	6522-0001	Frame	18	2	1002-1014	Hex socket cap screw
2	1	6521-0001	Pot bracket	19	4	1016-1204	Hex socket set screw
3	2	6522-0005	Top scale	20	4	1016-0804	Hex socket set screw
4	2	6522-0004	Cam	21	4	1016-0808	Hex socket set screw
5	1	6522-0006	Side scale – Left	22	4	1022-0108	Jam nut
6	1	6522-0007	Side scale – Right	23	2	1005-0808	Oval head mach. screw
7	2	7169-0015	Washer	24	16	1011-0406	Oval head Phillips screw
8	2	6522-0008	Scale retainer	25	8	1006-0603	Pan head mach. screw
9	1	6522-0009	Sight glass	26	8	1012-0606	Pan head Phillips screw
10	1	6522-0010	Dome	27	4	1004-0404	Round head mach. screw
11	1	6522-0011	Retainer Plate	28	2	2542-0008	Friction
12	2	2553-0018	Pointer	29	2*	2075-0001	Short handle
13	4	6522-0013	Light socket 53-223-6	29	2*	2075-0002	Long handle
14	2	6522-0014	Gear driver YP3264 mod	30	2	1024-0814	Spring pin
15	2	YPB-3232	Gear driven YPB 3232	31	2	1201-0002	Spring pin
16	2	POT-5	5K Potentiometer 6639S-447-502	32	2	1201-0003	Spring pin
17	4	6522-0028	Light bulb #85	33	2	2012-0007	Detent