

MODEL 6560 Electronic Actuator

The actuator is a heavy duty control device for equipment such as clutch or engine throttle. It has a motorized gear drive that can give out a torque of up to 120 in-lb. The output shaft has an overall angle of rotation of 90°. It is made in bronze and stainless steel and waterproof for onboard marine use.

In the event of power failure, the electronic actuation can be overridden by a mechanical release mechanism so the actuator can be operated manually. When used as Throttle Actuator or Clutch Actuator, the direction can be reversed in the field for either left hand or right hand rotation. The main controller can be adjusted to limit the handle travel in either direction to suit either the gearbox or throttle movements.

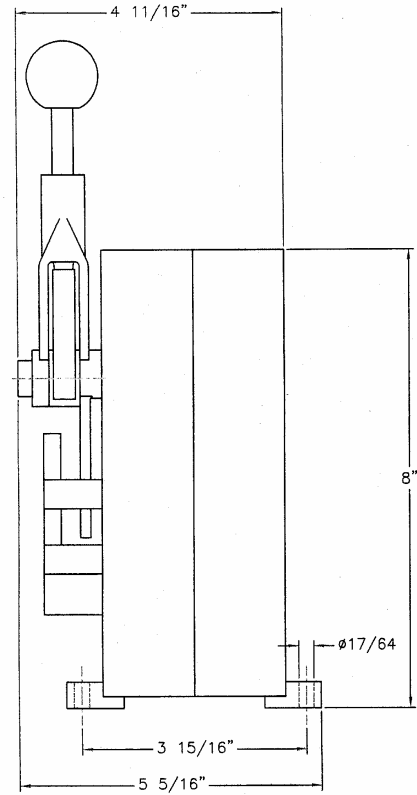
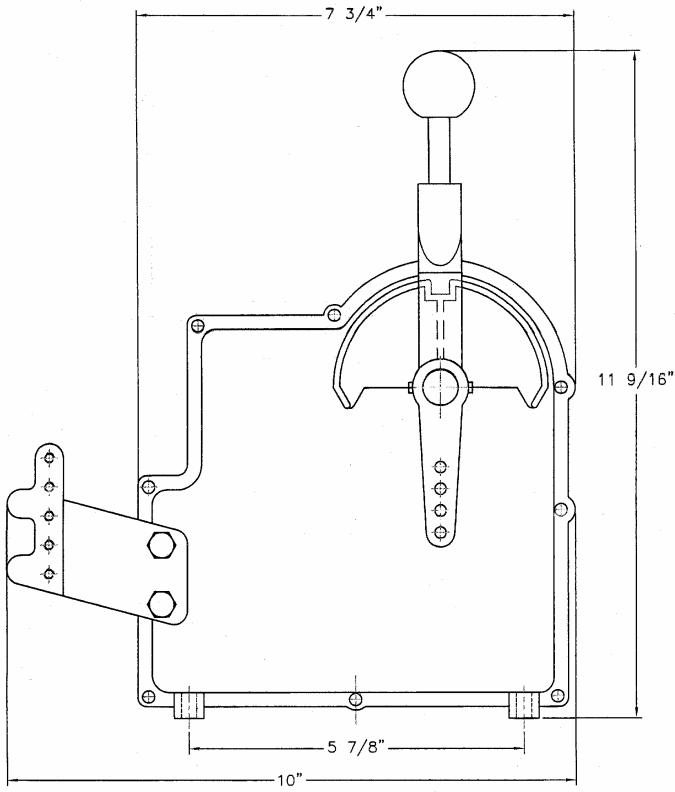
This Actuator can be used for controlling:

- Reverse gear
- Control valves
- Engine throttles
- Trolling valves

and many other applications, both in the marine industry as well as any industry in general.

Weight: 12 lb. (5.4 kg) approx

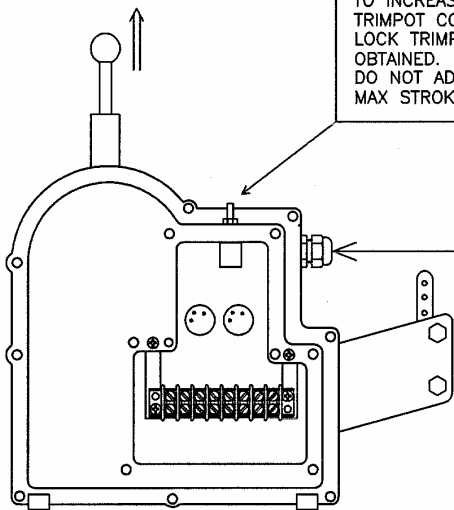
DIMENSIONS MODEL 6560



PULL LEVER UP FOR
MANUAL OVERRIDE

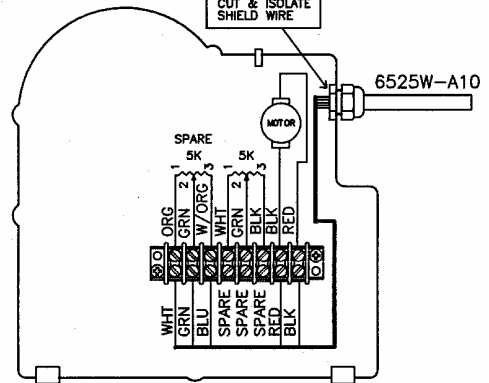
TO INCREASE ACTUATOR STROKE TURN
TRIMPOT CCW AND VICE VERSA
LOCK TRIMPOT WHEN DESIRED POSITION
OBTAINED.
DO NOT ADJUST ACTUATOR NEAR ITS
MAX STROKE.

FEED 6525W-A10
CABLE THROUGH
CABLE GLAND

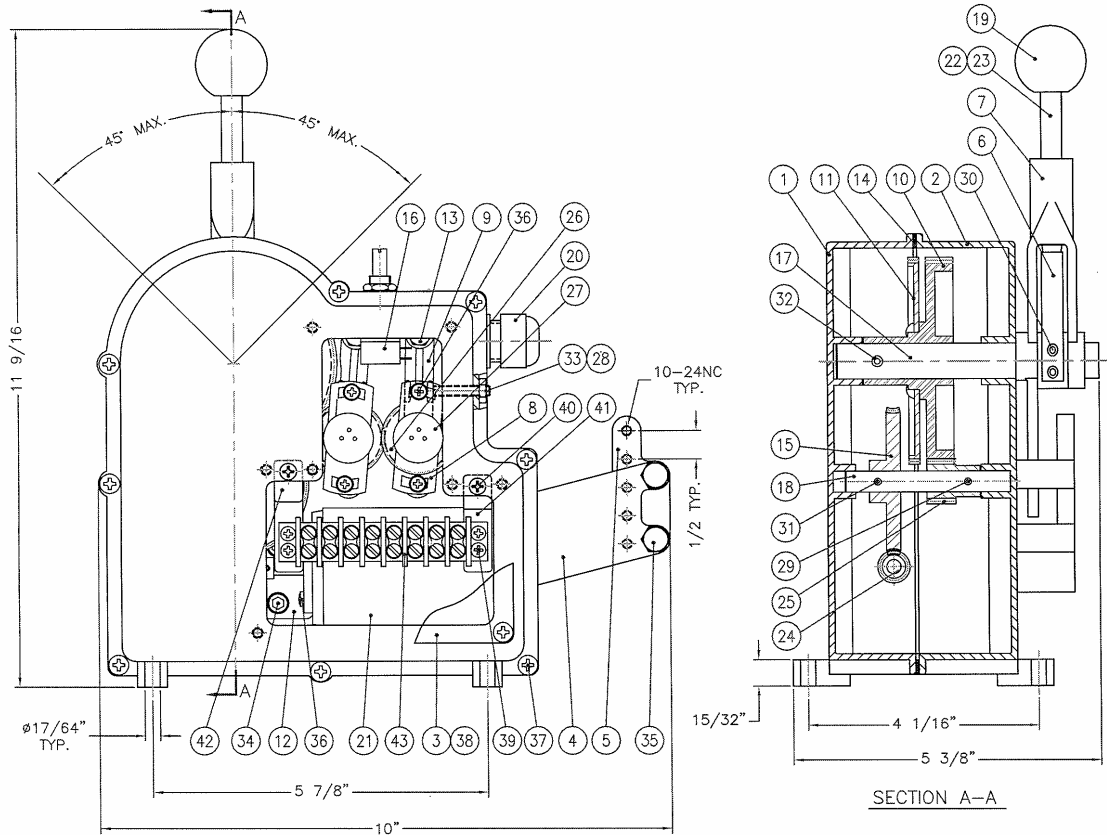


CUT & ISOLATE
SHIELD WIRE

6525W-A10



6560 Parts List



Item	Qty	P/N	Description	Item	Qty	P/N	Description
1	1	6560-0001	Left housing	23	1 *	6524-0015	Handle
2	1	6560-0002	Right housing	24	1	6524-0019	Worm
3	1	6560-0003	Cover plate	25	1	6524-0021	Pinion
4	1	6560-0004	Arm mounting plate	26	2	YPB-3240	Pot drive gear, 40T
5	1	6560-0005	Stationary arm	27	2	POT-6	Potentiometer, 5K
6	1	6527-0006	Disconnect cam	28	1	1022-0108	Hex nut
7	1	6527-0007	Disconnect arm	29	1	1024-0510	Spring pin
8	2	6560-0006	Pot bracket	30	2	1024-0817	Spring pin
9	2	6560-0007	Pot holder	31	1	1024-0512	Spring pin
10	1	6527-0010	Spur gear	32	1	1024-0814	Spring pin
11	1	6527-0011	Feedback gear	33	1	1016-0816	Set screw
12	1	6527-0012	Motor bracket, right	34	2	1002-1008	Socket head cap screw
13	2	6560-0020	Shoulder bolt	35	4	1001-1012	Hex head cap screw
14	1	6560-0021	Gasket	36	8	1012-0806	Pan head Philip screw
15	1	6527-0015	Worm gear	37	16	1010-0806	Round head Philip screw
16	1	6002-4000	Trim pot	38 ~	1	6560-0022	Gasket
17	1	6527-0017	Shaft, long	39	4	1012-0606	Pan head Philip screw
18	1	6527-0018	Shaft	40	2	1009-0706	Flat head machine screw
19	1	2030-0001	Knob, black	41	1	6560-0023	Support, short
20	1	6001-0249	Connecting gland	42	1	6560-0024	Support, long
21	1	Motor-14201	Motor, 24V	43	1	6009-0008	Terminal block
22	1 *	1201-0140	Spring				

Note: * Item quantity may vary by options

~ item not shown on diagram