



## MODEL 2004 HEAVY DUTY 3" STROKE ONE HANDLE PUSH PULL CONTROL HEAD

Designed and built with careful attention to quality materials and workmanship. This control can be supplied with three types of handles: standard or options of curved or with plastic grips.

### FEATURES:

- Corrosion free die cast silicon bronze and stainless steel hardware
- 3 adjustable stroke ranges up to 3 1/8 inches
- suitable for 30 series and 40 series cables
- LARGE bearings
  - No lost motion
  - High strength
  - Low wear and long life
- Removable dome for easy head and cable installation
- Independent friction and detent (standard) are adjustable and removable
- Operating quadrants are positively pin-fastened to handle shaft for safety
- Suitable for series or parallel rigging
- Optional safety switch, which prevents starting unless control head is in neutral (centre) position, is available either pre-installed or in kit form

### ORDERING INFORMATION

- \*H - With one neutral safety switch
- I - Electric clutch adaptor
- K - With chrome finish cover and handle
- L - With polished brass finish cover and handle
- M - With black epoxy finish cover and chrome handle
- N - One long handle with detent
- NN - One long handle with detent and friction
- O - One long handle with friction
- P - One short handle with detent
- PP - One short handle with detent and friction
- R - One short handle with friction
- U - Curved handle
- V - With red or black plastic grips

The standard model 2004 control head is supplied as follows:

- i. One long handle with detent or friction
- ii. With chrome finish cover and handle
- iii. Without neutral safety switch

To order, state model number followed by Model Designation letter codes.

Example: A standard model 2004 control head with chrome finish would be 2004-KO

### Note:

Cable connector kits are ordered separately. Each push pull cable end attached to the control head requires one kit.

### Accessories Ordering Numbers:

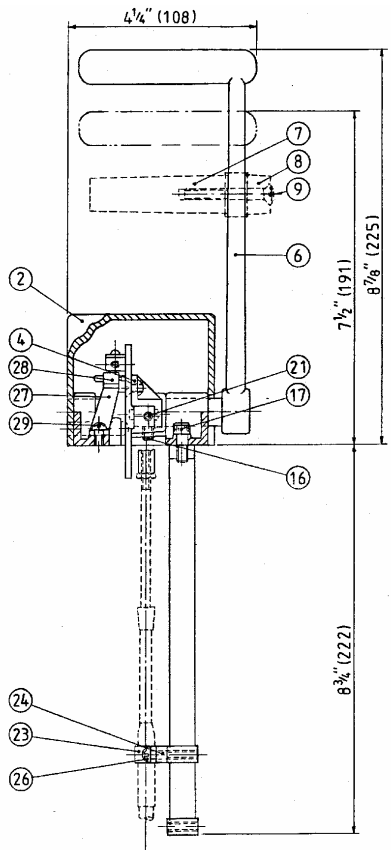
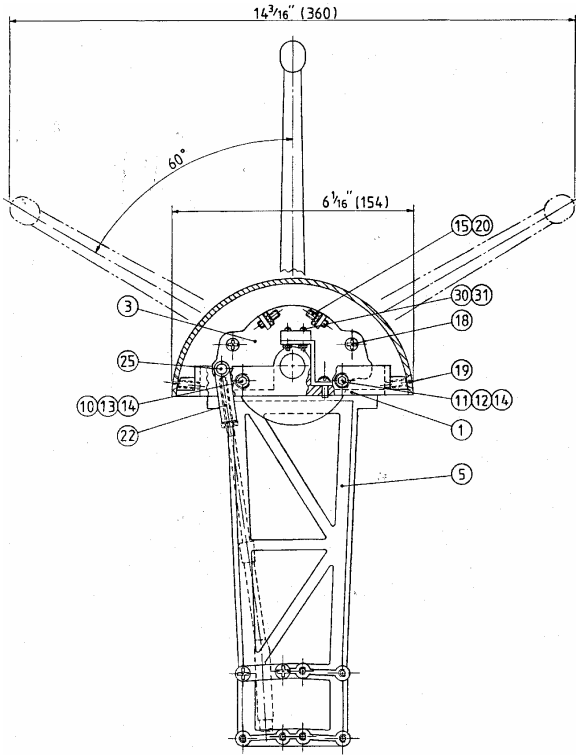
2004-0901 – (30 series) Connector Kit  
2004-0902 – (40 series) Connector Kit  
2004-0903 – Neutral Safety Switch Kit  
2004-0910 – Electric Clutch Adaptor

Weight: 5.7 lbs. (2.6 kg)

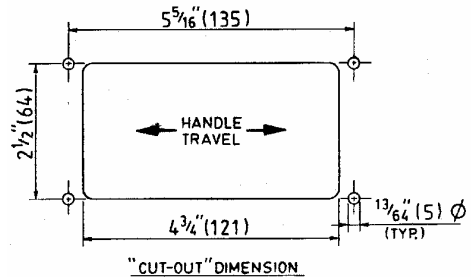
\* Neutral safety switch is normally installed with detented handle.

U.S. Pat. No. 4280371  
CAN Pat. No. 1158136

# MODEL 2004 DIMENSIONS AND PARTS LIST



Item	Qty	Part Number	Description
1	1	2004-0001	Frame
2	1	2004-0002	Dome
3	1	2011-0005	Pivot Plate
4	1	2011-0006	Pin Retainer
5	1	2011-0008	Support
6	*1	2545-0014	Long Handle (standard)
6	*1	2545-0005	Short Handle (standard)
6	*1	2545-2014	Long Handle (plastic grip)
6	*1	2545-2005	Short Handle (plastic grip)
7	*1	2111-0003B	Plastic Grip (Black)
7	*1	2111-0003R	Plastic Grip (Red)
8	*1	2111-0005B	Grip End (Black)
8	*1	2111-0005R	Grip End (Red)
9	*1	1011-1032	Oval Hd Screw
10	*1	2012-0007	Detent Pin
11	*1	2545-0021	Friction Pad
12	*1	1201-0003	Spring
13	*1	1201-0062	Spring
14	*1	1016-1204	Set Screw
15	2	1016-0808	Set Screw
16	1	1016-0804	Set Screw
17	2	1002-1010	Socket Hd Screw
18	2	1009-0808	Flat Hd Screw
19	2	1005-0808	Oval Hd Screw
20	2	1022-0108	Nut
21	2	1024-0816	Spring Pin
		2004-0901 (30 series) connection kit	
22	1	2105-0001	Clevis
23	1	2108-0001	Clamp
24	1	2109-0001	Spacer
25	1	1037-0411	Pin
26	2	1010-0810	Round Hd Screw
		2004-0902 (40 series) connection kit	
22	1	2105-0002	Clevis
23	1	2108-0002	Clamp
24	1	2109-0001	Spacer
25	1	1037-0411	Pin
26	2	1010-0816	Round Hd Screw
		2004-0903 Neutral safety switch set	
27	1	2011-0007	Bracket
28	1	1901-0001	Micro switch
29	1	1010-0804	Round Hd Screw
30	2	1004-0208	Round Hd Screw
31	2	1022-0102	Nut



All Dimensions in inches (mm)