

## MODEL 3514 TWO POSITION, THREE WAY CONTROL VALVE ASSEMBLY

### DESCRIPTION

The model 3514 control valve assembly was especially designed for modern machinery requiring numerous pneumatic remote controls such as clutches, brakes and one-way cylinders and actuators of various descriptions (not pressure compensated). The space saving design and ease of use will permit very close-quarter installations and therefore avoid large control panels. The patented handle lock mechanism will allow ease of operation of this small valve even when wearing heavy hand protection in cold weather. If the handle lock is not required, the latch plate is not installed when mounting the valve.

Weight: 1.1 lb. (0.5 kg)

Materials: Die cast silicon bronze and stainless steel hardware

Maximum Supply Pressure: 200 psi (13.8 bar)

Operating Temperature: -40°C to +90°C

Pipe port size: 1/8" NPT

### ORDERING INFORMATION

Model Designation Code:

- A – Left hand model
- B – Right hand model
- H – With chrome finish dome
- J – With polished brass finish dome and handle
- K – With black epoxy finish dome and chrome handle

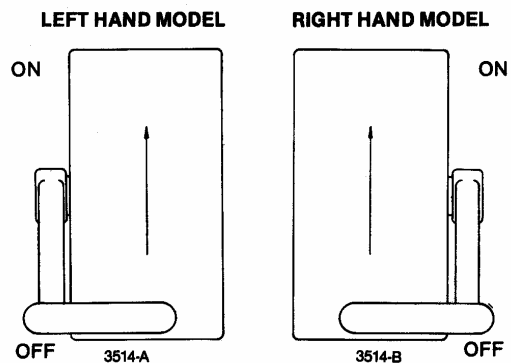
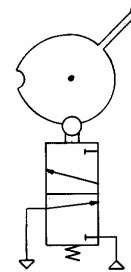
The standard model 3514 control head is supplied as follows:

- With handle lock
- Right hand model
- With chrome finish dome and handle

To order, state model number 3514 followed by the desired designation codes.

Example: 3514-BH for standard control valve assembly.

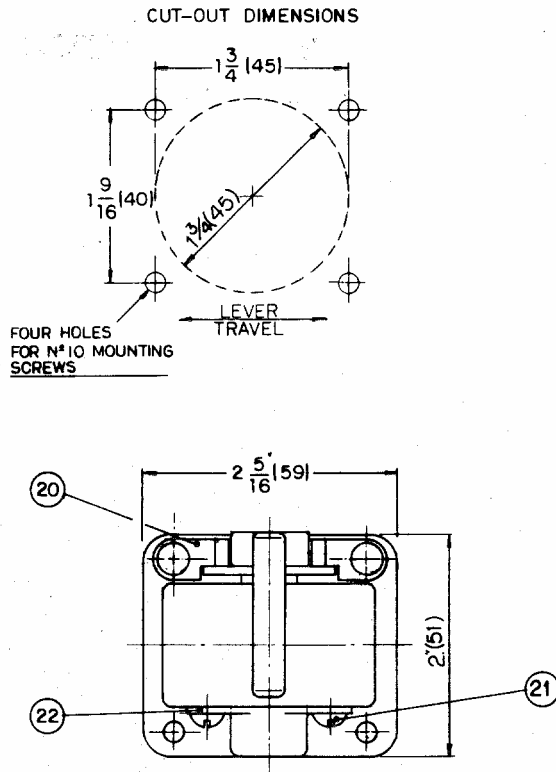
Repair kit 3514-RK is available for seal repairs.



Canadian Patent No. 11176140

US Patent No. 4474075

# DIMENSIONS AND PARTS LIST MODEL 3514



ITEM	QTY	PART NUMBER	DESCRIPTION
1	1	3514-0001	Dome
2	1	3514-0002	Cam
3	1	3604-0017	Cam follower
4	1	3514-0003	Ball housing
5	1	3803-0001	Spool
6	1	1101-0010	"O" Ring
7	1	1201-0013	Spring
8	1	3803-0003	Seat
9	1	3803-0005	Retainer
10	1	3514-0004	Handle
11	1	1002-0810	Socket head capscrew
12	1	1029-2037	Snap ring
13	2	1101-0014	"O" Ring
14	1	3803-0004	Poppet
15	1	1201-0004	Spring
16	1	1201-0037	Spring
17	2	1010-0810	Round head Philips capscrew
18	1	3803-0007	End cap
19	2	1010-0806	Round head Philips capscrew
20	1	3514-0005	Locking bracket
21	2	1010-0804	Round head Philips capscrew
22	1	3514-0006	Spring housing
23	1	3516-0004	Valve body

All Dimensions in inches (mm)

