



2543 PRESSURE CONTROL HEAD – DUAL OUTPUT

DESCRIPTION

The 2543 Control Head consists of two handle-cam operated, accurate, self relieving regulating valves. With the handle in the centre or “off” position, both outputs are at zero or lowest pressure. Movement of the handle in either direction delivers regulated pressure to the chosen output according to handle position. The other output remains vented to atmosphere.

Weight: 10 lbs (4.5 kg)

Materials: Die cast silicon brass and stainless steel hardware.

Maximum Supply Pressure: 200 p.s.i. (13.8 bar)

Operating Temperature Range: -40°C to +90°C

Pipe Port Size: 1/8" N.P.T.

APPLICATIONS

- Remote control of variable volume hydraulic pumps, motors and hydrostatic drives
- Control of clutches and brakes
- As a regulating 4-way directional control valve

ORDERING INFORMATION

Model Designations:

- C - one short handle
- D - one long handle
- E - spring return handle
- H - with chrome finish dome
- J - with polished bronze finish dome
- K - with black epoxy finish dome
- Q - with adjustable cam(s)
- N - 0 – 60 psi
- P - 0 – 80 psi
- R - 0 – 100 psi
- S - 0 – 120 psi
- T - 10 – 60 psi
- U - 10 – 80 psi
- W - 10 – 100 psi
- X - 10 – 120 psi
- V - black plastic handle grips

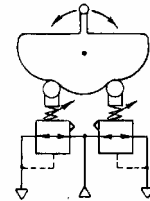
The standard model 2543 Control Head is supplied as follows:

- I. Non spring-centered handle with centre detent and adjustable holding friction
- II. With chrome finish cover and handle
- III. In any standard pressure range

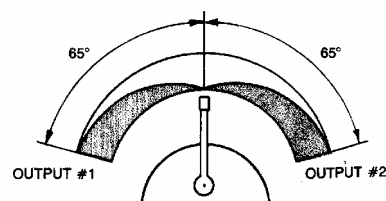
To order, state Model number followed by the desired Model Designation letter codes.

Example: Standard 2543 with 0-60 psig pressure range. Ordering number is 2543-AHN

SCHEMATIC SYMBOL

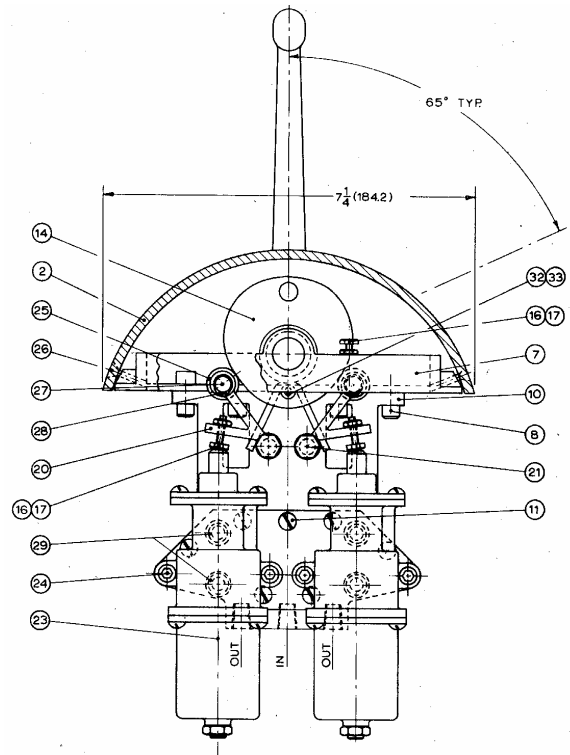


OUTPUT PRESSURE VS HANDLE TRAVEL

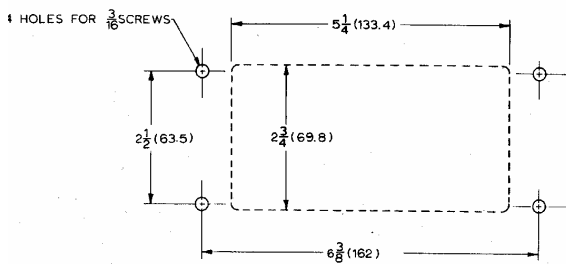


Model 2543

Item	Quantity	Part Number	Description
1	1	2545-0005	Handle
2	1	2543-0001	Cover
3	2	1016-1205	Set Screw
4	1	1201-0003	Spring
5	1	2545-0012	Detent Pin
6	1	2542-0008	Friction Plug
7	1	2543-0002	Frame
8	6	1002-1008	Cap Screw
9	2	2542-0010	Spacer
10	1	2543-0004	Support
11	7	1004-0806	Screw
12	1	2543-0010	Gasket
13	1	2543-0005	Plate
14	1	2543-0006	Cam
15	1	2542-0009	Bracket
16	4	1001-0808	Cap Screw
17	4	1022-0108	Nut
18	1	1024-0814	Pin
19	1	1016-1004	Set Screw
20	2	2543-0003	Roller Arm
21	2	1001-1028	Cap Screw
22	1	1201-0002	Spring
23	2	3217	Valve
24	4	1002-1024	Cap Screw
25	2	2543-0009	Roller
26	2	1011-0808	Screw
27	2	2542-0011	Pin
28	4	1029-1031	Snap Ring
29	4	1101-0010	"O" Ring
30	1	1203-0003	Spring
31	1	2543-0007	Spacer
32	1	2543-0008	Centering Rod
33	1	1002-0808	Cap Screw



All dimensions in inches (mm)



Cut Out Dimensions

