

MODEL 3609 SINGLE HANDLE, 4-WAY DIRECTIONAL CONTROL HEAD (1/4" NPT)

DESCRIPTION

The 3609 control head consists of two cam-handle actuated 3-way valves with a common supply port. In the standard model, handle movement is detented in three positions. With the handle in centre position, both 3-way valve outputs are vented to atmosphere. Movement of the handle in either extreme detent position actuates one of the 3-way valves delivering full supply pressure to the chosen directional output.

Different control head functions can be obtained without altering the valve assembly, by simply removing the dome and rotating the cam.

The optional 3-position handle latch locks the handle into the desired position preventing accidental movement of the lever.

Weight: 5.9 lbs. (2.7 kg)

Materials: Die cast silicon bronze and stainless steel hardware

Maximum input pressure: 200 psi (13.8 bar)

Operating temperature: -40°C to +90°C

Pipe port size: 1/4" NPT

APPLICATIONS

- Used primarily in the remote control of double acting cylinders, brakes and air clutches
- Used in remote station changeover system in the engine room
- Used wherever a handle operated, 4-way valve is required

ORDERING INFORMATIONS

Model designation codes

A – non spring centered handle with three-position detent

B – spring centered handle with no detent

C – three position handle latch **

D – short handle

E – long handle

H – with chrome finish dome and handle

J – with polished brass finish dome and handle

K – with black epoxy finish dome and chrome handle

L – see function table below

LL – see function table below

M – see function table below

MM – see function table below

** any lock position can be easily eliminated

Function Tables

Model Designation L

Lever Position	Out Port X	Out Port Y
1	Open	Close
2	Close	Close
3	Close	Open

Model Designation LL

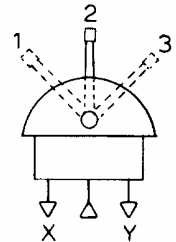
Lever Position	Out Port X	Out Port Y
1	Close	Open
2	Open	Open
3	Open	Close

Model Designation M

Lever Position	Out Port X	Out Port Y
1	Open	Open
2	Close	Close
3	Open	Close

Model Designation MM

Lever Position	Out Port X	Out Port Y
1	Open	Close
2	Open	Open
3	Close	Close



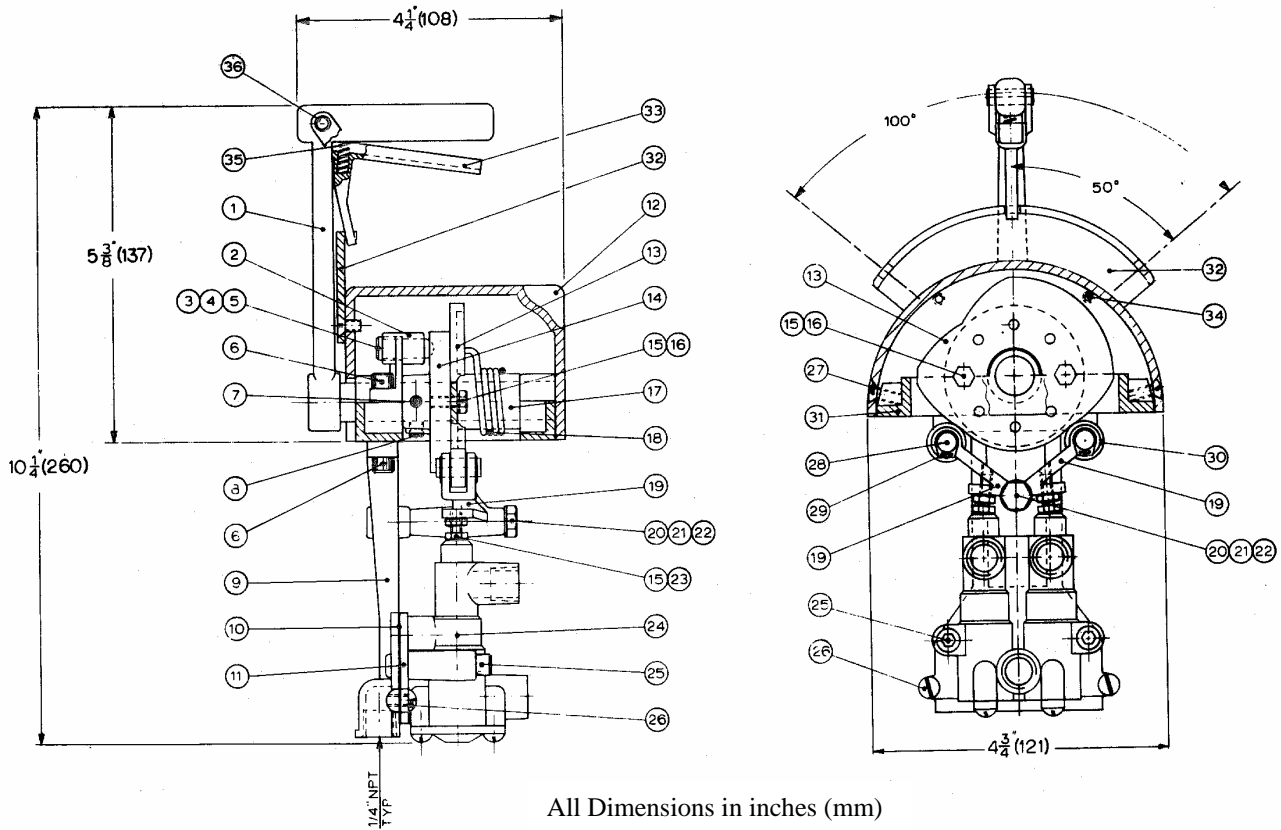
The standard Model 3609 Control Valve assembly is supplied as follows (3609-ADHL):

- Non spring centered handle with 3-position detent
- With short handle
- With chrome finish cover and handle
- See function table L

To order, state model number followed by model designation letter codes.

DIMENSIONS AND PARTS LIST

MODEL 3609



All Dimensions in inches (mm)

Item	Qty	Part No.	Description
1	1	2542-0012	Handle (short)
*1	1	2542-0013	Handle (long)
2	1	3609-0005	Detent bracket
3	1	1016-1205	Setscrew
4	1	1201-0003	Spring
5	1	2009-0011	Detent pin
6	4	1002-1008	Capscrew
7	1	1024-0814	Spring pin
8	1	1016-1004	Setscrew
9	1	3609-0001	Port support
10	1	3609-0013	Gasket
11	1	3609-0003	Manifold cover plate
12	1	2542-0001	Dome
*12	1	3609-0011	Dome (for handle latch)
13	1	3609-0002	Cam
14	1	3609-0004	Cam mounting flange
15	2	1001-0808	Capscrew
16	2	1023-0308	Lock washer
17	1	3609-0007	Spacer
*18	1	1203-0002	Spring
19	2	3609-0008	Pivot arm
20	1	1001-1032	Capscrew
21	1	1023-0110	Flat washer
22	1	3609-0006	Bushing
23	2	1022-0108	Nut
24	1	3804	4-way block mount valve
25	2	1002-1024	Capscrew
26	3	1010-0806	Machine screw

Item	Qty	Part No.	Description
27	2	1005-0808	Machine screw
28	2	2542-0011	Pin
29	4	1029-1031	Snap ring
30	2	2543-0009	Cam roller
31	1	2542-0002	Frame
*32	1	3609-0009	Latch stop bracket
*33	1	3609-0010	Handle latch
*34	2	1003-0806	Screw
*35	1	1201-0001	Spring
*36	1	1024-1012	Spring pin
*37	1	2543-0008	Centering rod
*38	1	1002-0812	Capscrew

Note: * Optional

